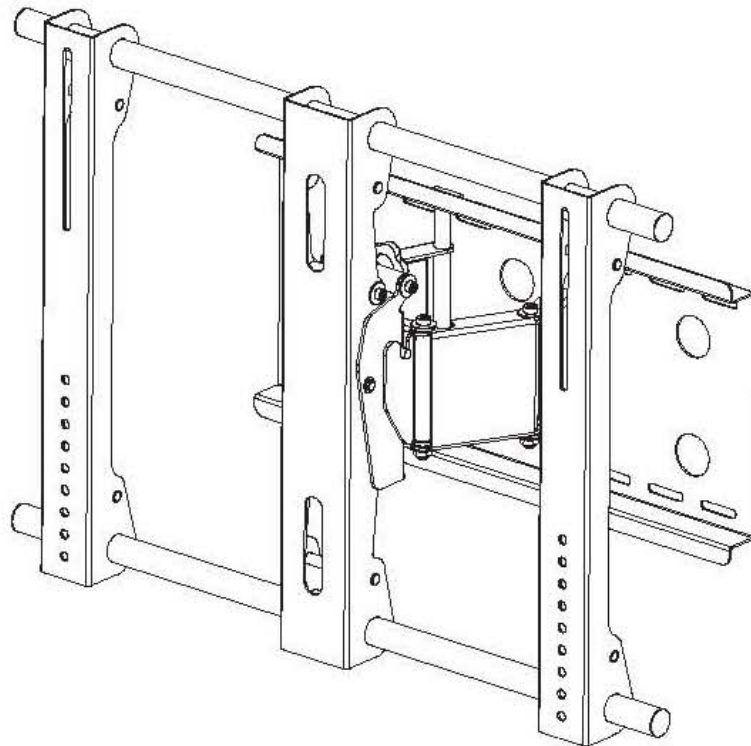


---

# MPA Series

## Articulating flat TV wall mount

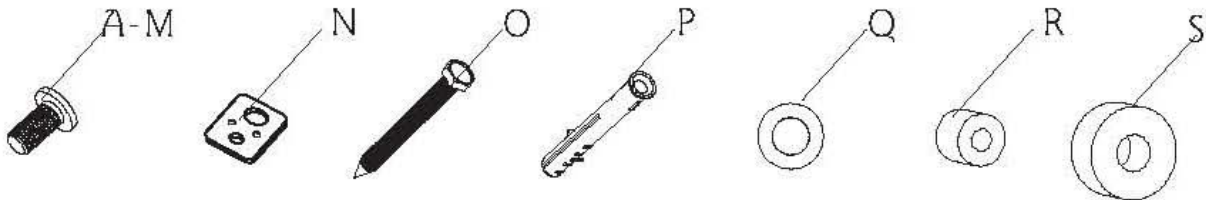
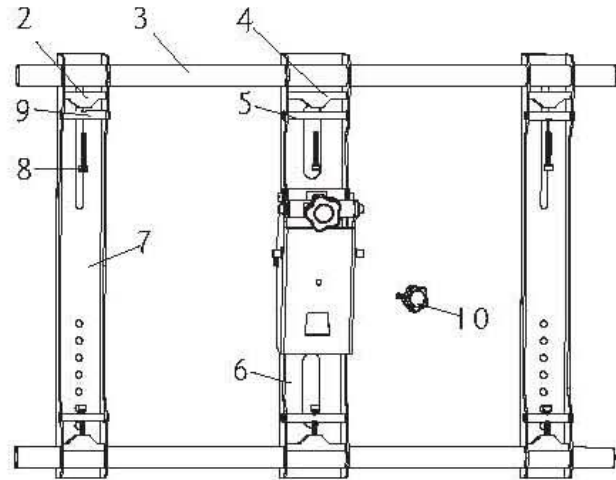
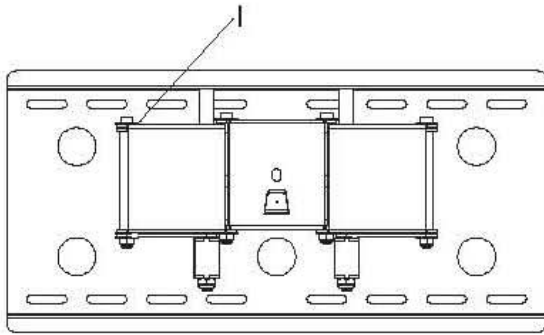


- Easy installing: Just hang up the display
- Safety: locking by knob
- Max load capacity: 75kg/165lbs
- TV size range: 36" ~60"
- Adjustable angle: -5 ~15 (tilt), 45 (Roll control)

---

**IMPORTANT:** If don't understand about right install ways, please consult to normal installing specialist.

## Hardware List:



ID	Qty	Description
1	1	Wall mount
2	4	Securing piece 1
3	2	Across-rod
4	2	Securing piece 2
5	2	Securing key 2
6	1	Bracket 2
7	2	Bracket 1
8	6	Bolt
9	4	Securing key 1
10	1	Knob
A	4	M4×12mm bolt
B	4	M5×12mm bolt
C	4	M6×12mm bolt
D	4	M8×12mm bolt
E	4	M4×25mm bolt

ID	Qty	Description
F	4	M5×25mm bolt
G	4	M6×25mm bolt
H	4	M8×25mm bolt
I	4	M4×40mm bolt
J	4	M5×40mm bolt
K	4	M6×40mm bolt
L	4	M8×40mm bolt
M	4	1/4"-20×5/8" bolt
N	4	Square washer
O	6	Long bolt
P	6	Wall anchor
Q	6	Long bolt washer
R	8	9/16" Spacer
S	8	1/2" Spacer

**Caution :** This Product LCD /Plasma Wall Mount Bracket is intended for use only with the maximum weights indicated .See apparatus instructions .Use with products heavier than the maximum weights indicated may result in instability causing possible injury .

**Step 1: TV plate assembly**

Open the box, and take out all kinds of parts provided. Make across-rod(3) through into the bracket I (7) in order which is bracket I (7) firstly, bracket2(6) secondly, and bracket I (7) finally. Tighten bolts into securing key 2(5) and securing piece 2(4) , to securing it on the middle of Across-rod(3).(The installing way of the other Across-rod is same.) According the size of LCD to confirm the position of brackets (left bracket I and right bracket I)(Fig 1).

**Notion:** Left bracket I and right bracket I must be symmetrical.

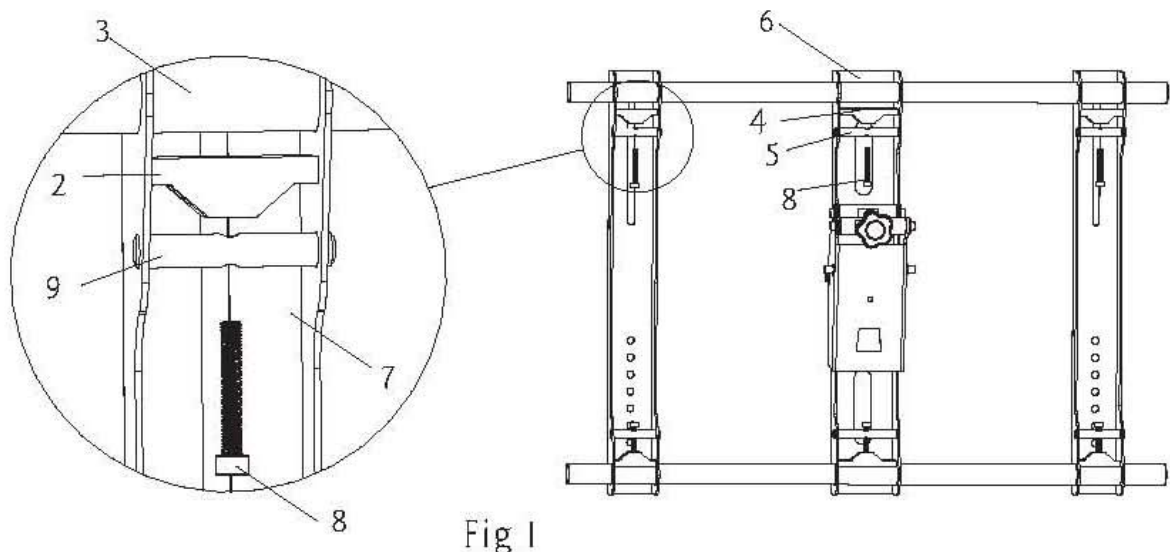


Fig 1

**Step 2: Attach bracket to TV**

Check your TV manual to confirm the diameter of bolt to be used or choose an appropriate bolt according to size, height and position of the holes on your TV. See pages 4-6 of these instructions for examples.

For correct installing, make sure that hook of every bracket must facing down. Use selected bolt, spacers and washer for installing bracket at the back of display. Adjust two brackets to equal heights and level. Once aligned, tightly secure the bolts.

**IMPORTANT:** Don't force the bolt into the hole, which will cause a damage of equipments and injure of person. Don't use electric drill to fasten any bolts.

Following examples shows how to use bolts, spacers and square washers.

1. Some displays have vertical backs. No spacer is required. Install the bracket directly to the back of display by using bolts and square washers provided. As shown in Fig. 2a.

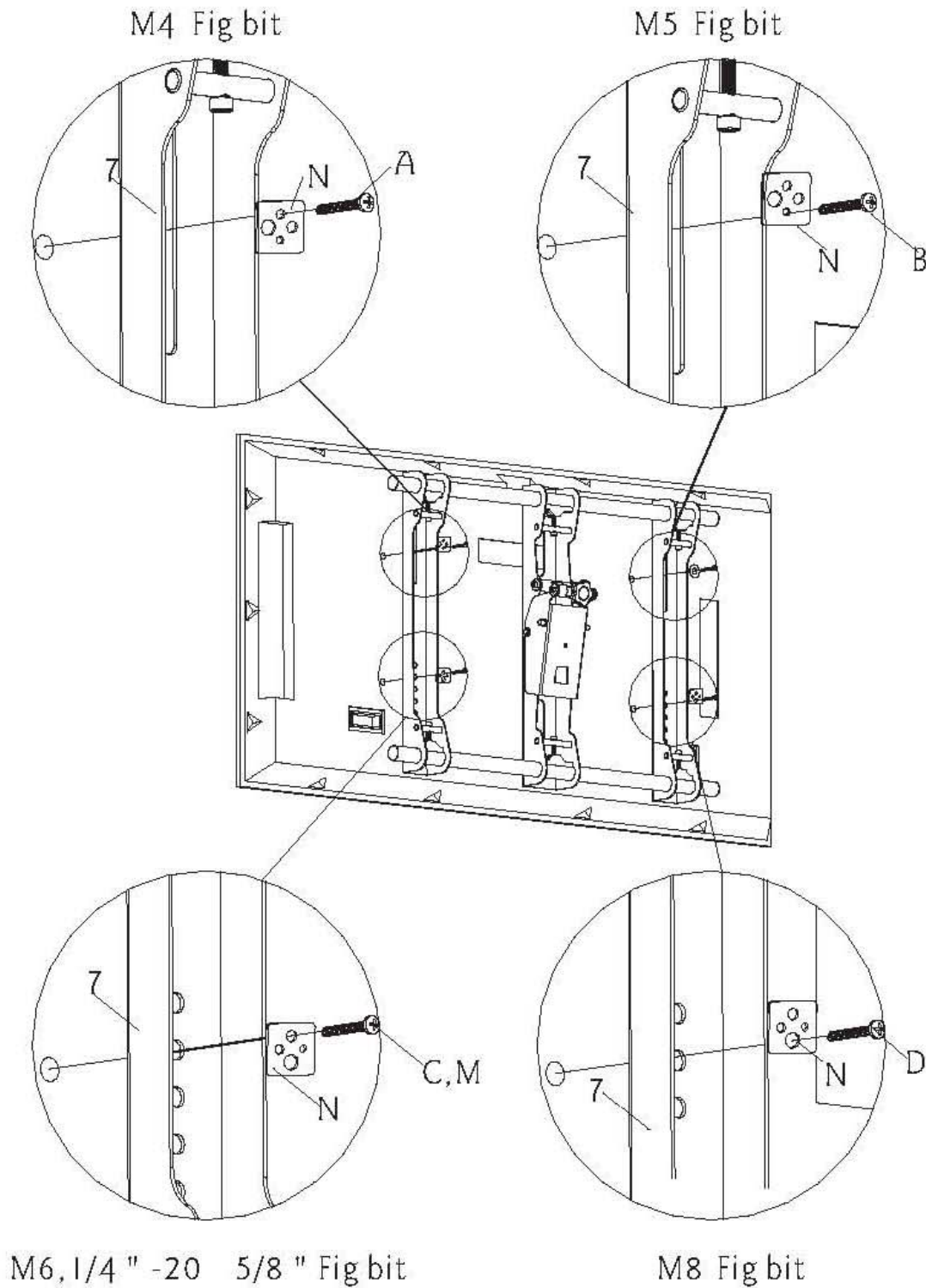


Fig 2a

2. Some displays have curved backs with recessed mounting lands (Fig.a). It will require the use of spacer. For this display, install a 9/16" spacer (R) or 1/2" spacer (S) between display and the bracket. As shown in Fig 2b.

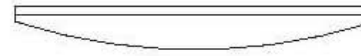


Fig a

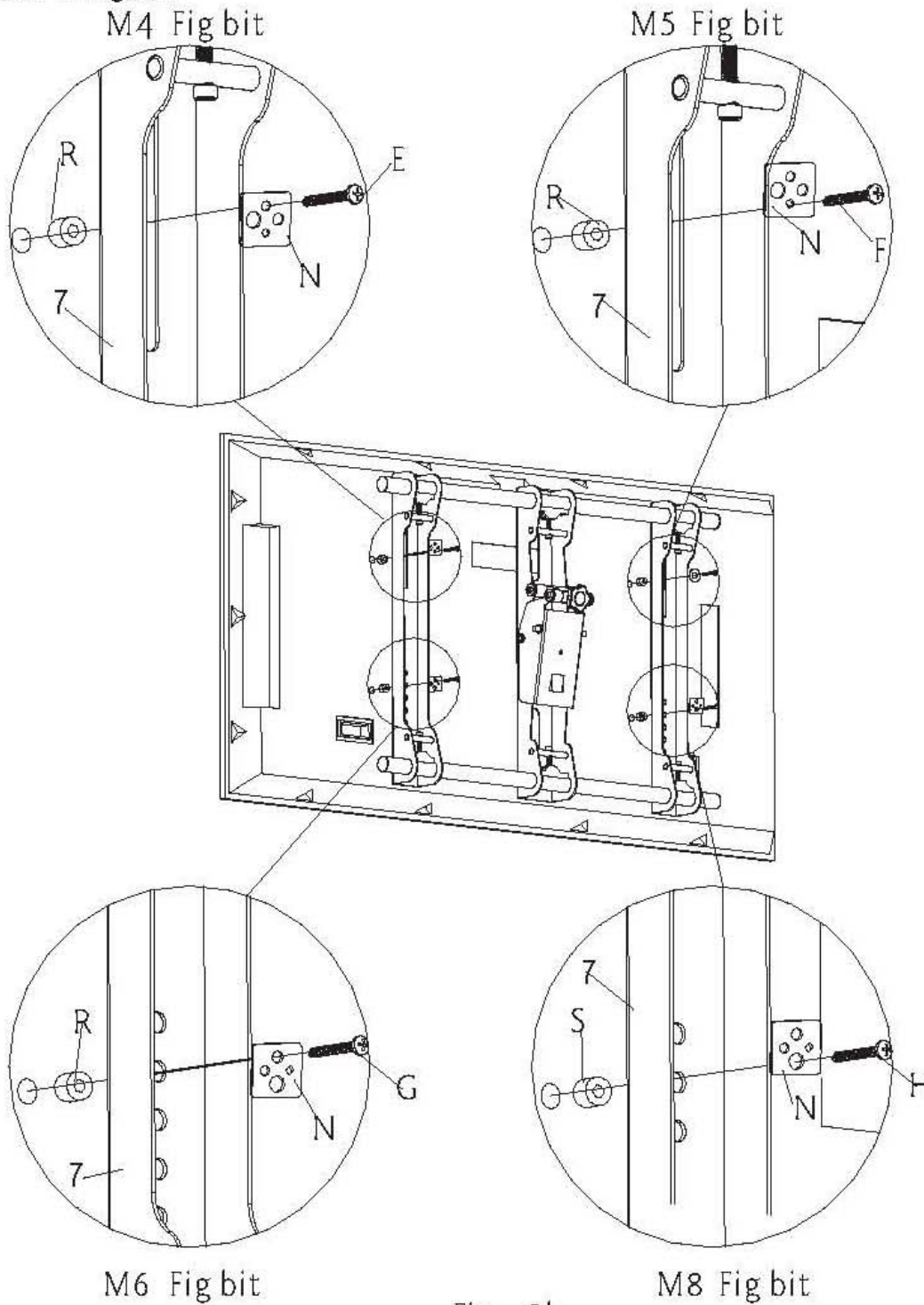


Fig 2b

3. For display with protruding HDTV tune or deeply curved backs (Fig b), two 9/16" spacers (R) or two 1/2" spacers (S) should be used. Stack two spacers and then install them between display and the bracket. As shown in Fig 1 c.

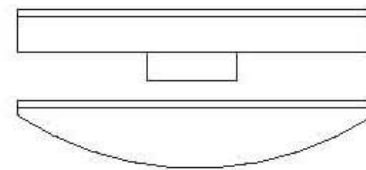
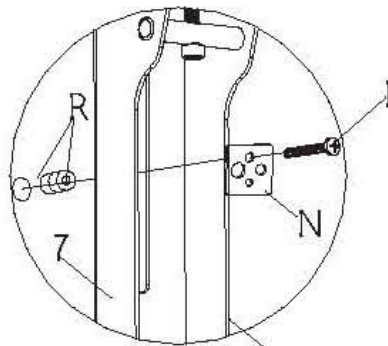


Fig b

M4 Fig bit



M5 Fig bit

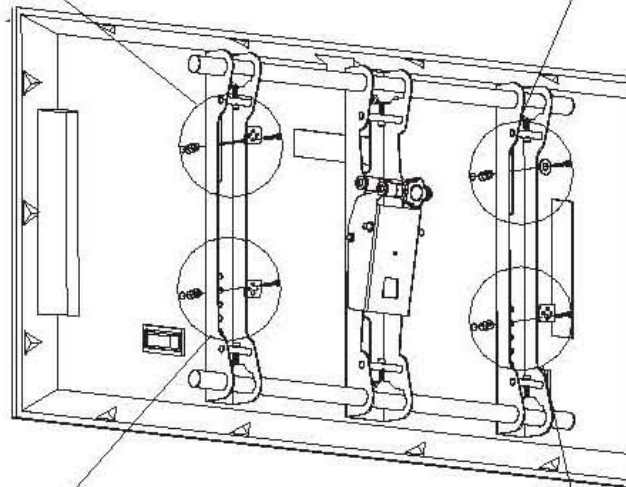
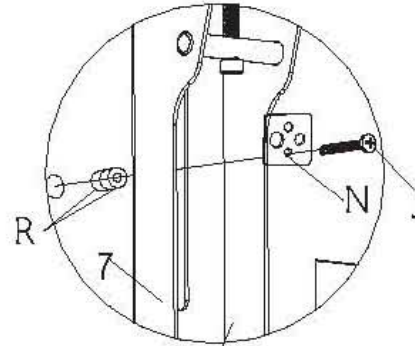
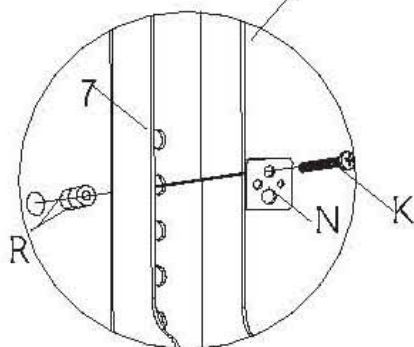
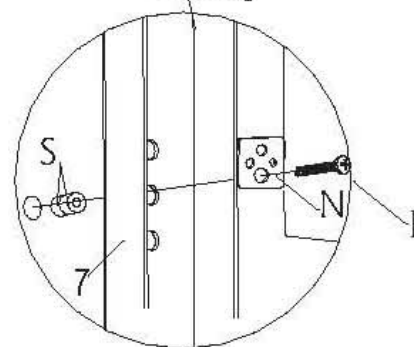


Fig 2c



M6 Fig bit



M8 Fig bit

### Step 3: Attach mount to wall

First, determine the height of stand

The best height of stand is parallel to eyelevel of a person who sitting on a couch.

Normally, the horizontal distance of eyelevel is about 4' from ground level.

The following two conditions are for determining the perfect height of stand:

- 1) the distance between wall and couch(Fig 3a).
- 2) the distance of eyelevel from ground level plus the distance measured from eyelevel of a person sitting on couch with viewing angle of 15°(Fig 3a).

For example:

- 1) the distance of 'a' is 5'-7', the distance of 'b' is about 1'
- 2) the distance of 'a' is 8'-13', the distance of 'b' is about 3'
- 3) the distance of 'a' is 14'-17', the distance of 'b' is about 4'

The perfect height of stand centre will be anywhere within b, where you feel comfortable for viewing.

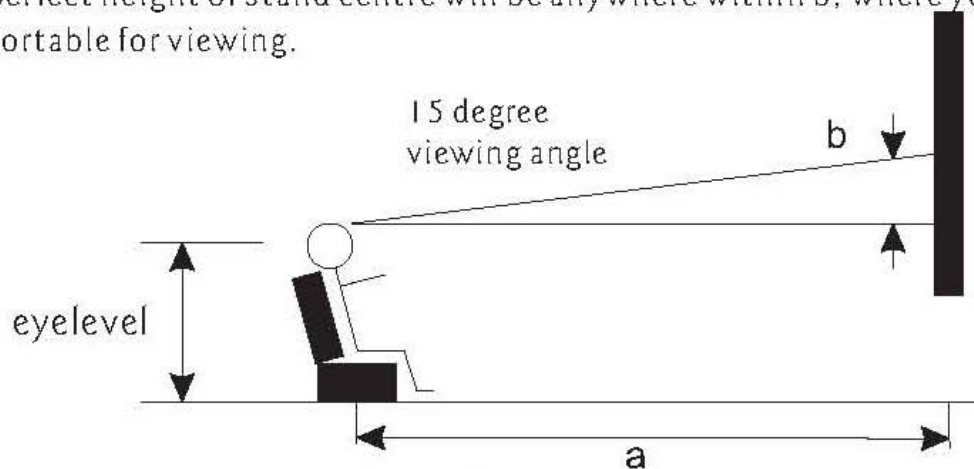


Fig 3a

After determining the height of stand, follow the installation instructions in below to install wall mount to different kinds of wall -wooden, brick, concrete and stone.

### Wooden wall(Fig 3b):

Using a awl or nail to make where the nails are located, as shown as fig.3b. Distance between two nails for fixing wall mount must not less than 12". Pre-drill these holes with a 5mm drill bit to at least 80mm in deep hole. Please make sure these holes are level and located at center. Use wall mount as a template to mark the location of other three holes and drill the same holes. Fix the wall mount to the wall with 4 long bolts(O) and washers(Q).

### Brick, Concrete and Stone wall:

Using the wall mount as template to mark 6 holes location on the wall. There holes are located at the top row of the slots and three more are located at the bottom row. The outer holes must be fall to the left and right of the two holes in the middle of the mount. Please make sure these holes are level and at least 6" between any two lines. Pre-drill these holes with a 10mm drill bit to at least 80mm deep hole. Insert wall anchors(P) into each of these holes. Attach the wall mount to the wall using 6 long bolts(O) and washers(Q).

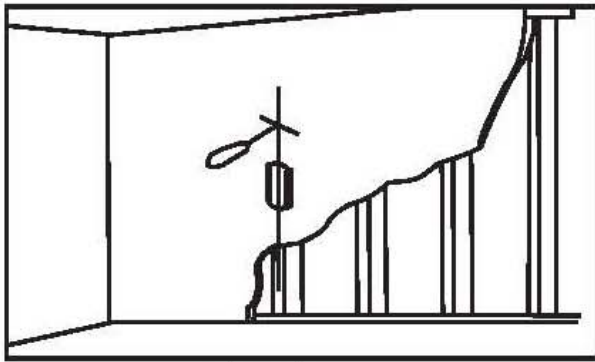


Fig 3b

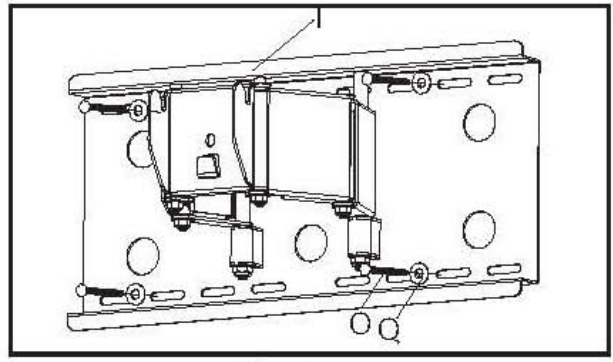


Fig 3c

#### Step 4: Hanging display

Firstly lift the bracket mounted display over the wall mount. And then hook the brackets over the top of the wall mount. as shown in Fig.4a. Put safe knob into the position that is pointed to lock it, as shown in Fig.4b.

**Warning:** Some TV require two people to lift, as we are not responsible for any personal injury or product damage due to mishandling.

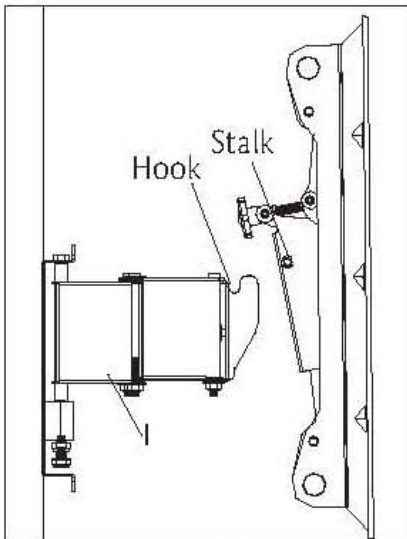


Fig 4a

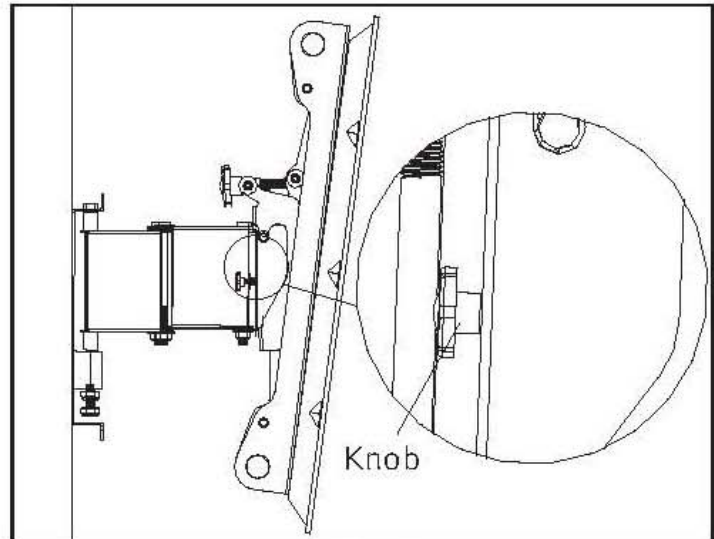


Fig 4b