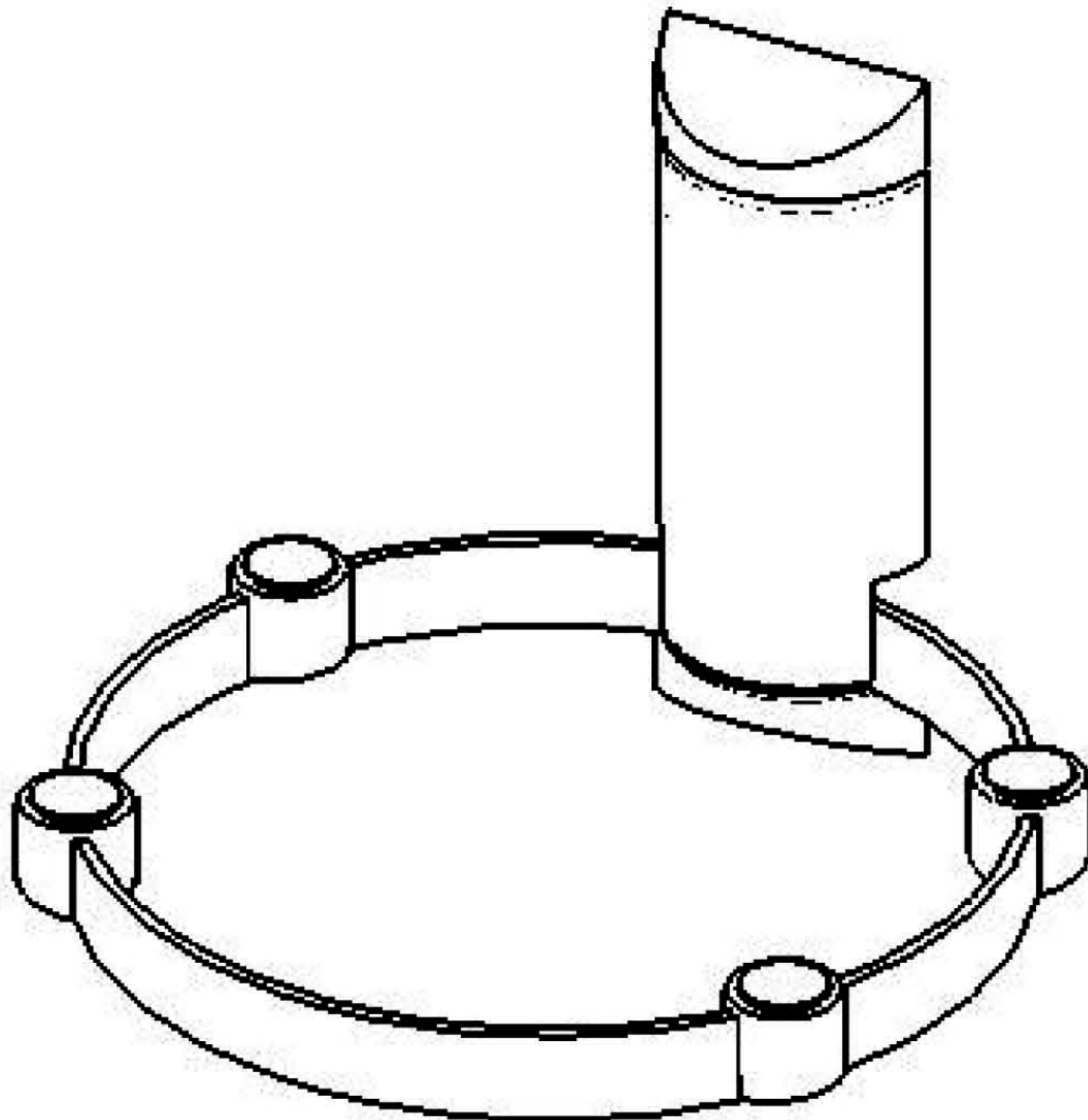
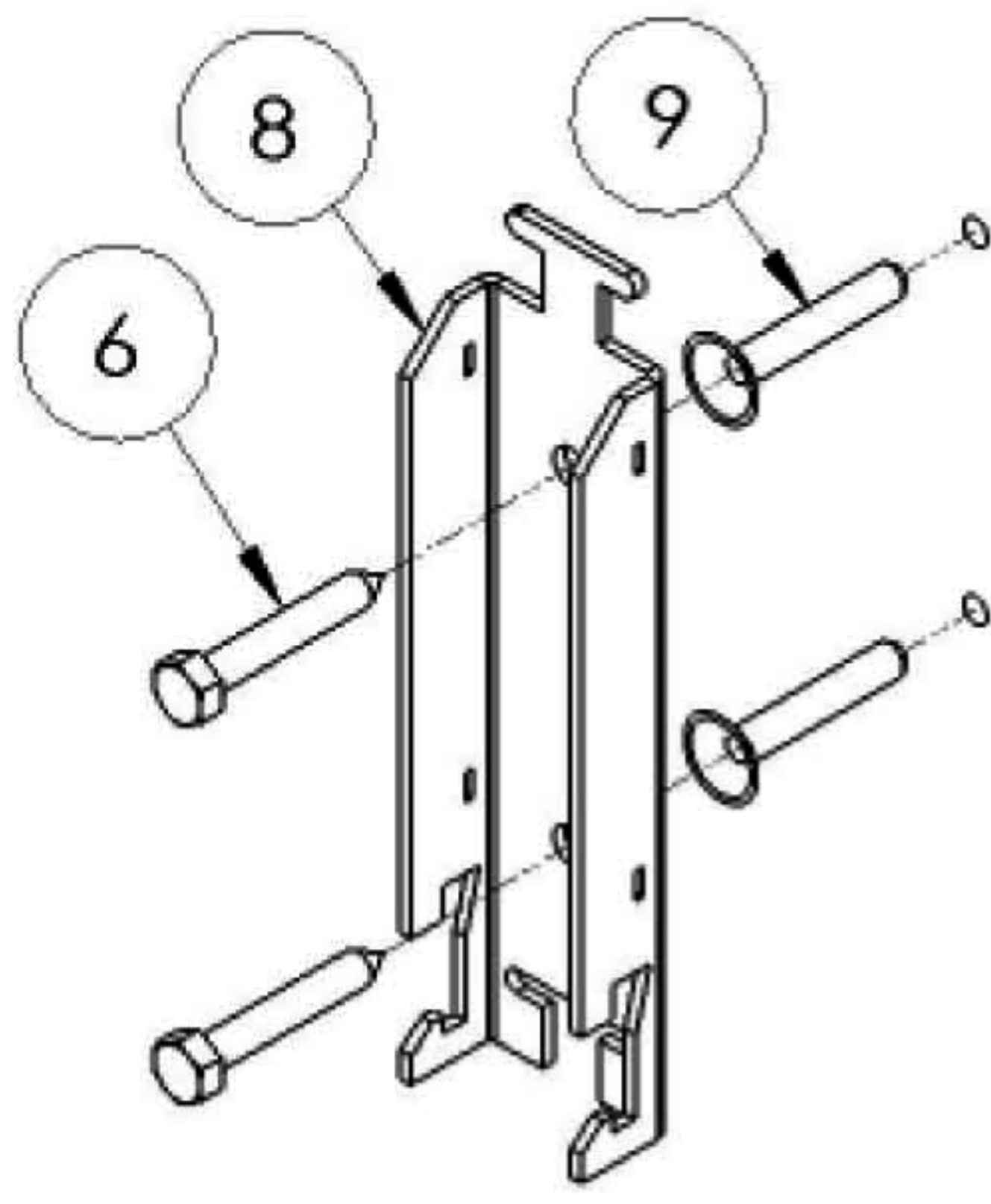


Instruction Sheet For:

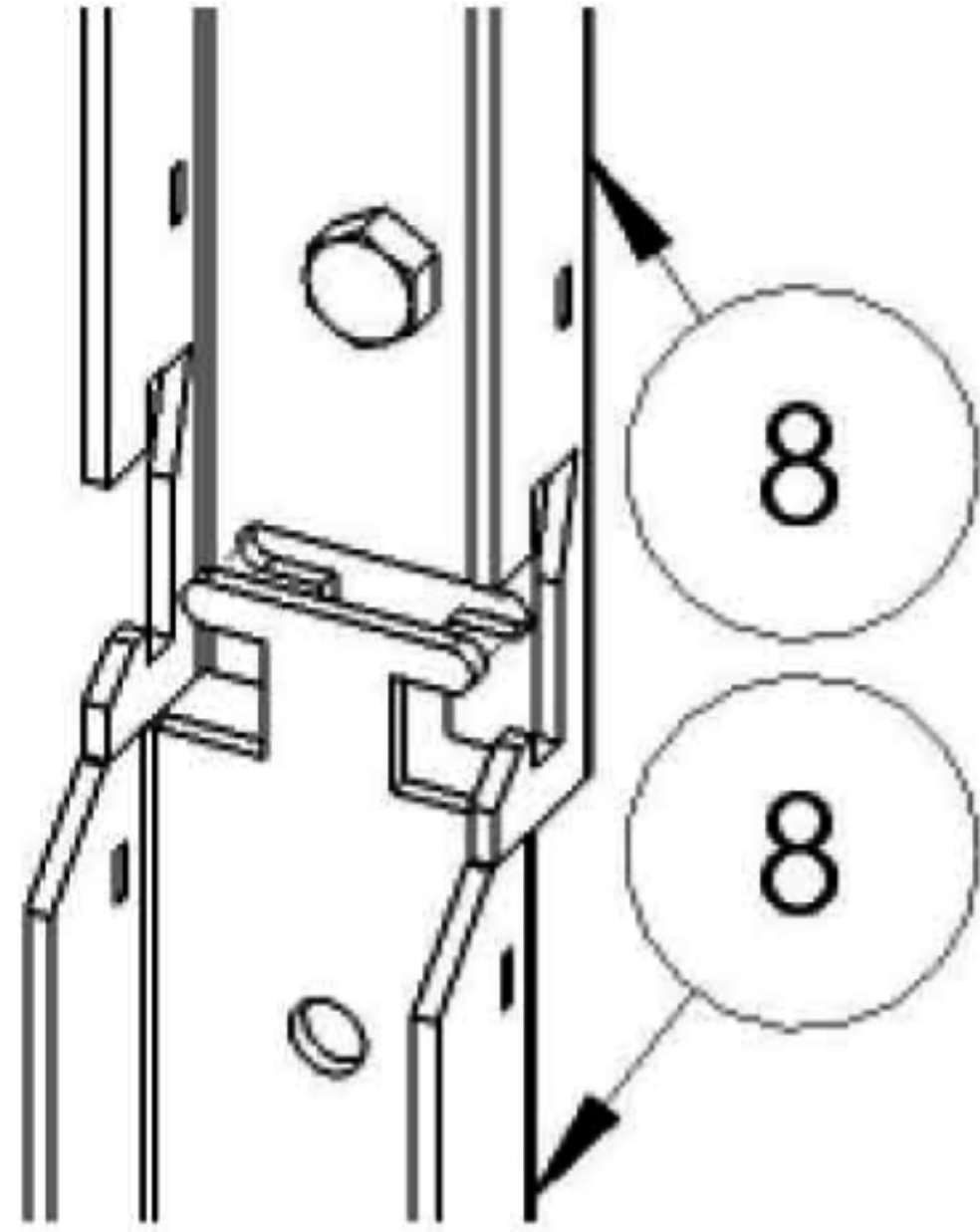
VH-003 & VH-003S



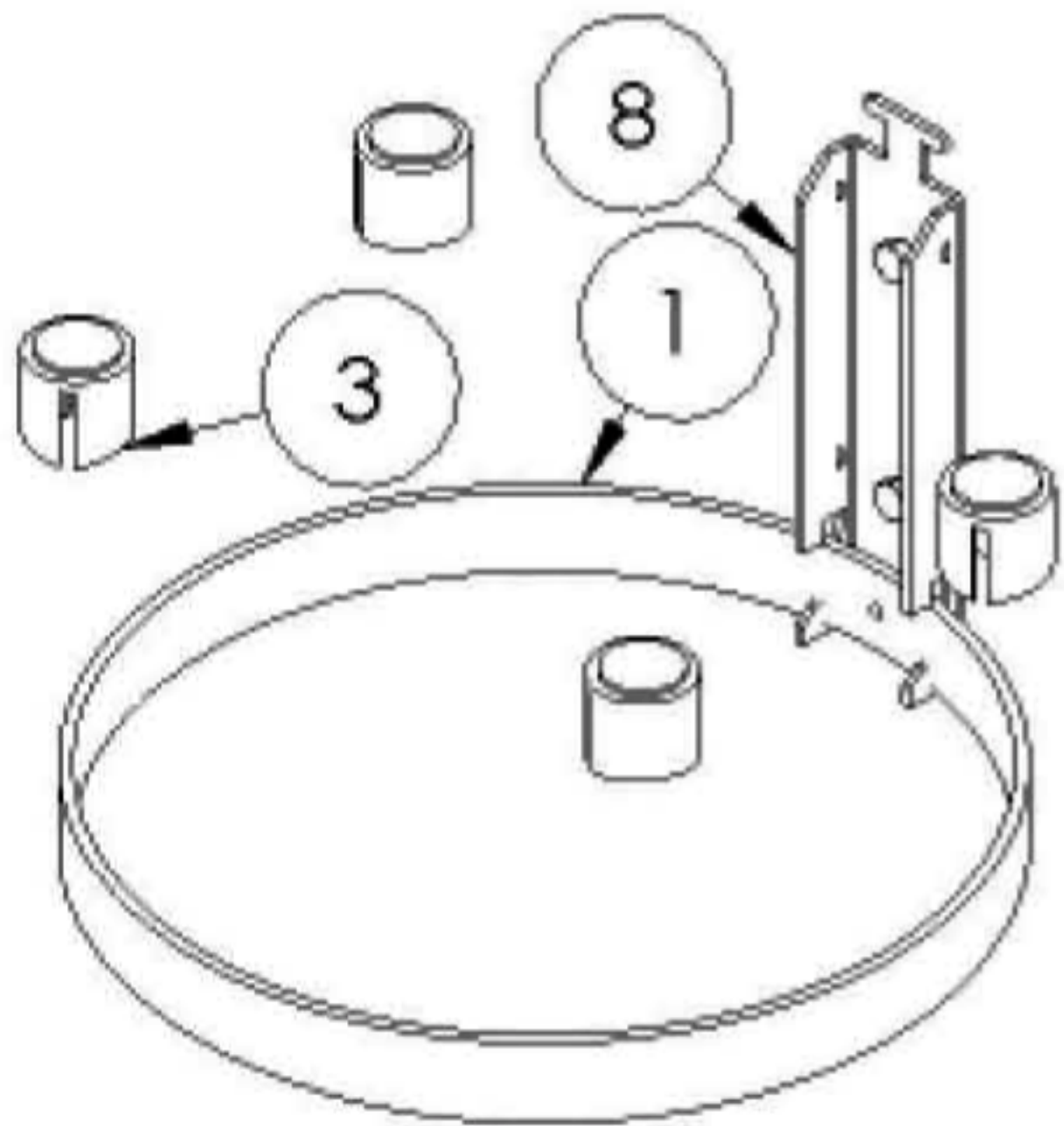
For More information, please contact us at:
14080-F Sullyfield Cr, Chantilly, VA 20151
(T) 1.800.620.8006 / (F) 703.476.8485
www.mountdirect.com



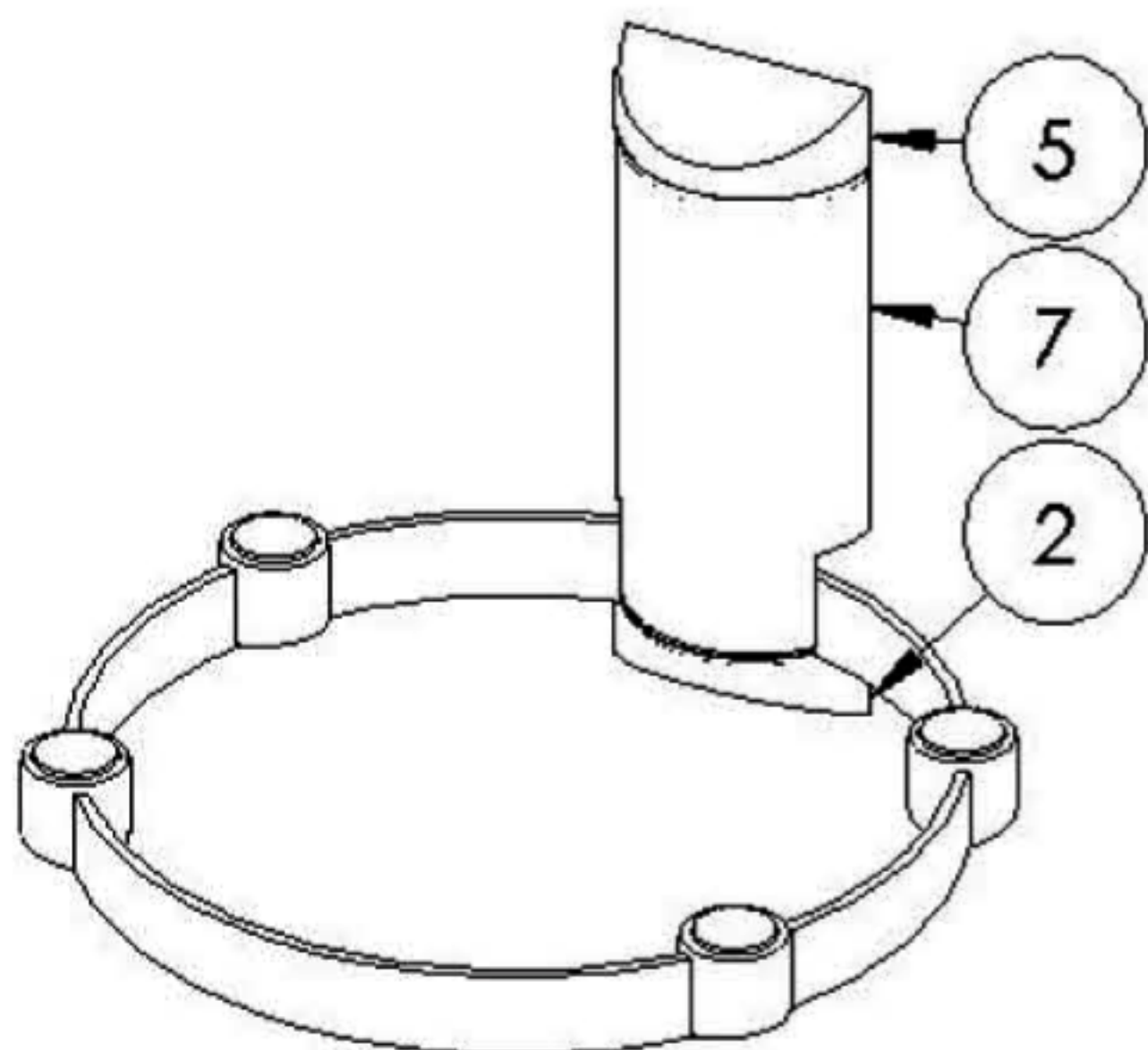
Step 2: Mounting the wall plate



Step 3: Stacking VH-003 units in series



Step 4: Connecting the support ring to the wall plate



Step 1

Before starting lay out all parts to your mount and match them to the parts list provided. Verify that you have all your parts before attempting to assemble the mount.

Step 2

Remove the plastic covers (2), (5), and (7) from the wall plate (8). Mark the wall or desired mounting surface in preparation of installation of wall mounting plate (8). Pre-drill if necessary and mount wall plate (8) to desired surface using the wood screw (6) or hardware appropriate for your mounting surface. (Note: wall plugs (9) are provided if needed) **Warning: Please verify that your mounting surface will support the combined weight of your mount, mounting hardware, and monitor. Also verify that the mounting surface is safe to drill through. If in doubt about either please contact a professional installer.**

Step 3

If you plan to stack multiple VH-003 units proceed with this step otherwise skip to the next step. Insert the tab of the next VH-003 wall plate (8) into the cut out of the mounted VH-003. Mark the wall or desired mounting surface in preparation of installation of the next wall mounting plate (8). Pre-drill if necessary and mount wall plate (8) to desired surface using the wood screw (6) or hardware appropriate for your mounting surface. Repeat until all the desired VH-003 wall plates (8) are mounted.

Step 4

Insert the support ring (1) into the wall plate (8) and push down to "lock" into place. Place the plastic connectors (3) on the support ring (1) approximately 90 degrees apart from each other.

Step 5

Snap the plastic plate(s) (7) onto the wall plate(s) (8). Snap on the top and lower plastic covers (5) and (2) onto the plastic plate (7). If using multiple VH-003 units only place the plastic top cover (5) on the top most plastic plate (7) and the plastic lower cover (2) on the bottom most plastic plate (7). The plastic plates (7) should mate together when stacked.

Enjoy Your Mount!

WARNING: The installer of these products must verify that the mounting surface, ceiling or wall, will safely support the combined weight of all attached equipment and hardware.