

# Installation Instructions

## LPA / MPA -Series Cantilever TV Mount



www.RiteMounts.com

### DISCLAIMER

This document is intended to be made accurate and complete. However, there is no guarantee the information contained herein covers every aspects. The manufacturer and the distributor make no representation of any warranty regarding the information contained, and assume no corresponding responsibility.

### WARNING:

- Prior to installation, please read and understand this instruction manual. If you have any questions or uncertainties, please consult your seller or local professionals.
- If the wall structure could not support the combined weight of mount and the TV, please reinforce the wall prior to the installation. Installation on drywall may be dangerous.
- For installation on wood stud, please make sure the wood screws are in the center of the wood stud, using an “edge to edge” stud finder is recommended.
- To avoid damage a plasma TV should never be laid flat. It must remain in an upright position.
- Tighten the screws firmly, but never overtighten.

### Features:

- **Designed for 37” to 60” flat screen TVs (for LPA)**  
**30” to 60” flat screen TVs (for MPA)**
- TV is 3” ~ 23” from the wall
- Up to 50° Tilt side to side, tilt -5° ~ 15° up and down, roll -6° ~ +6° to adjust horizontal level  
Maximum TV Weight: 175 lb / 79.38 kg

**Required tools:** Stud finder; Screwdriver; Level; Drill

### Parts list:

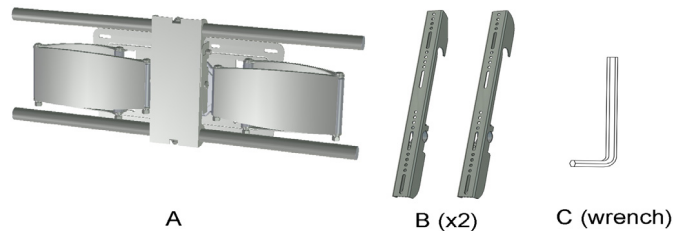


Figure 1: Part list

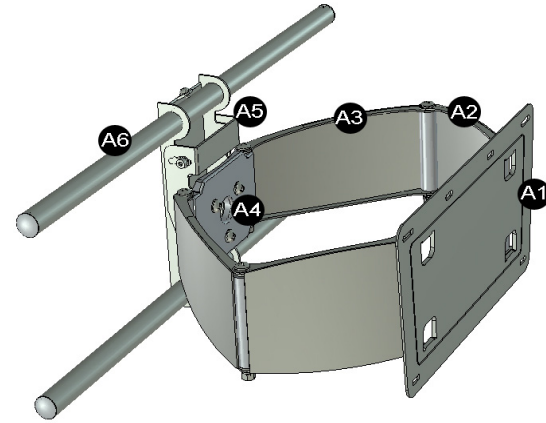
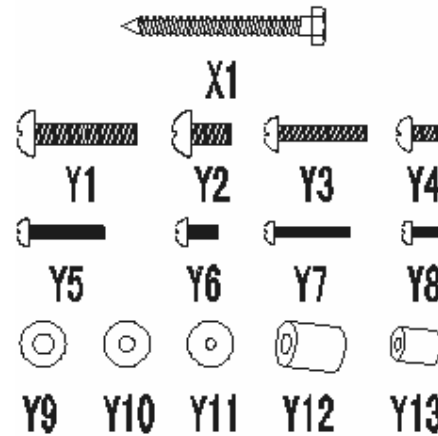


Figure 2: Part A components, A1 ~ A6, come assembled

### Screw list:



Description	Qty
X1 Wood Screw	6
Y1 M8 x 40 Screw	4 or 0
Y2 M8 x 16 Screw	4 or 0
Y3 M6 x 35 Screw	4 or 0
Y4 M6 x 12 Screw	4 or 0
Y5 M5 x 30 Screw	4 or 0
Y6 M5 x 12 Screw	4 or 0
Y7 M4 x 30 Screw	4 or 0
Y8 M4 x 12 Screw	4 or 0
Y9 Washer for Wood Screws (Qty:6) and for M8 screws (Qty:4)	10 or 6
Y10 Washer for M6 Screw	4 or 0
Y11 Washer for M5, M4 Screw	4 or 0
Y12 Spacer for M6 Screw	4 or 0
Y13 Spacer for M5, M4 Screw	4 or 0

X1 (Wood Screw) is used with 4 or 6 Y9 (washer) to secure the Part A to the wood stud wall. Y2~Y8 are various screws for all kinds of TVs. They are used with washers Y9 ~ Y11. Spacers, Y12~Y13 are used to create more space between the TV and the mount when necessary, for example, curved back of TV, need more room for cable access, and TV with

recessed screws.

Figure 4: install Part-B1 to the TV, II

### Step 1: Mounting TV interface arm (Part-B) to the back of the TV

a) If your TV has a flat back surface – No curves and steps

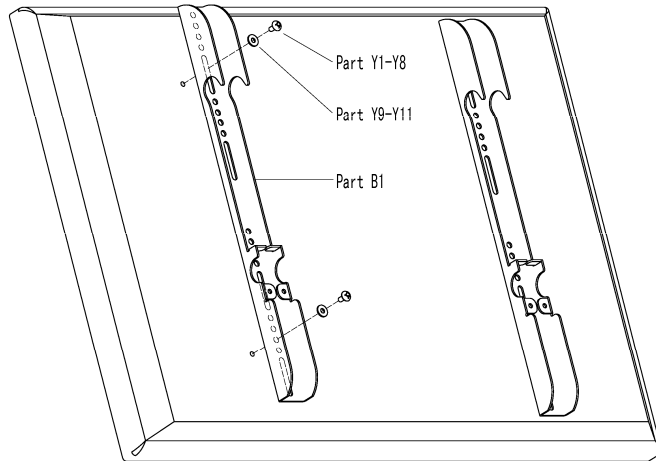
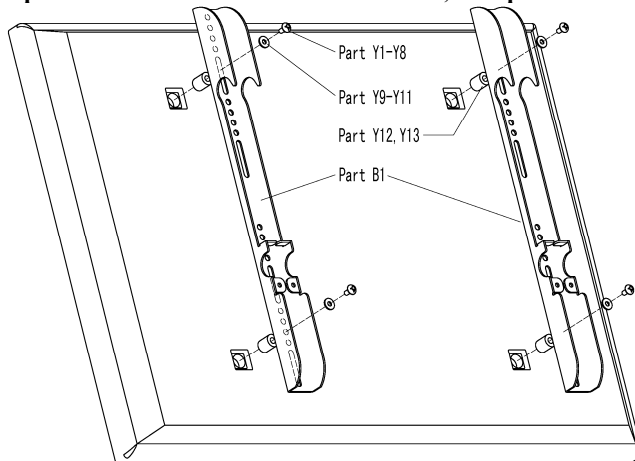


Figure 3: install Part-B1 to the TV

b) if your TV has a uneven or curved back surface, use the supplied spacers (Y12-Y13) to compensate or adjust the height.  
Or if more spaces is wanted between mount and TV, use spacers Y12 or Y13 !



### Step 2: Mount the wall plate (Part-A) to the wall

Please do NOT disassemble Part-A1 from Part-A. Mount the whole Part-A on the wall.

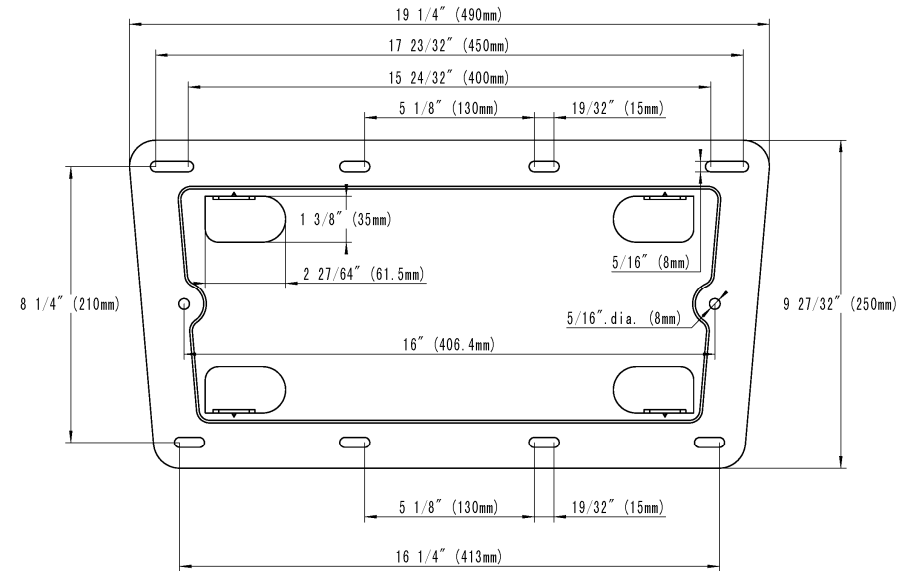


Figure 4: Cut sheet of Part-A1

#### a) Mounting to wood stud

**Warning:** Pre-drill the hole for the wood screws. Do not overtighten the lag bolts (Part-X1)

Use a wood stud finder to identify the wood studs, most wood studs are 16 inches apart, may be 12, 20 or 24 inches in some place. Make sure the wood lag screws (Part-X1) are screwed into the center of the wood studs.

Use a level to make sure the wall plate is mounted perfectly horizontal.

**WARNING:** Do NOT remove the plate (Part-A1) from the mount (Part-A), when install

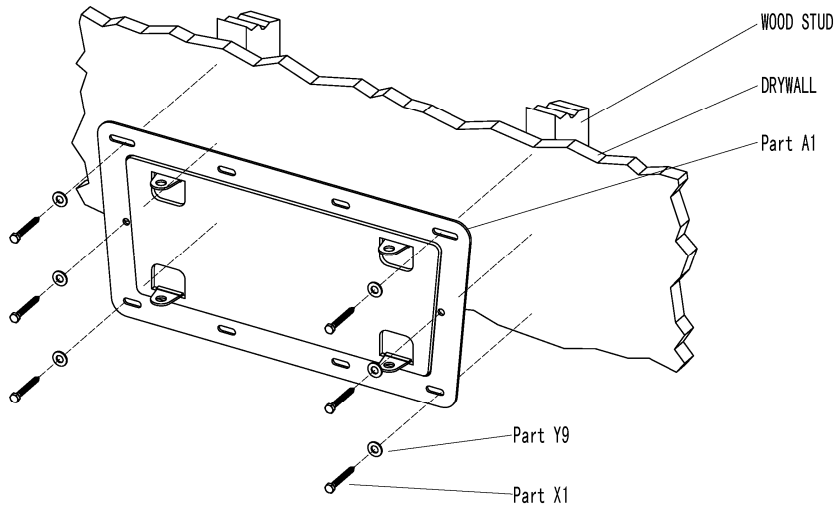


Figure 5: Install the Part-A on the wood wall

**b) Mounting to solid wall**

Use solid wall anchor (not included, get from hardware stores) along with the wood screws (Part-X1). First drill a hole for solid wall anchor, put it in, attach the Part-A, and screw Part-X1 (wood screw) into the solid wall anchor.

*\*solid wall anchor is sold separately, or available in local hardware stores.*

**Warning:** Make sure the wall can support the combined weight of mount and the TV.

**Step3: Hang the TV with the interface arm installed (Part-B) onto the wall plate (Part-A)**

Hook the TV with arms (Part-B) installed onto the top of the wall pate (Part-A), then slowly swing screen inward.

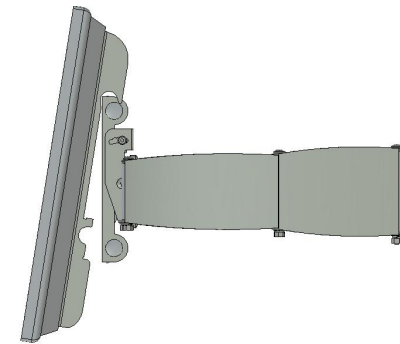


Figure 6: Hook on TV with Part-B1



Figure 7: Lock Part-B to Part A

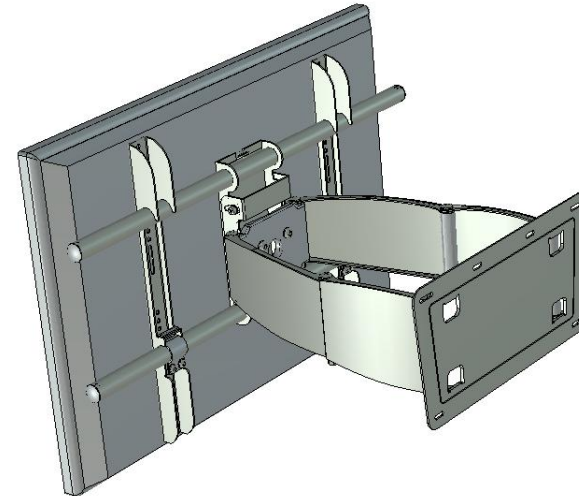


Figure 8: Installation is finished

## Adjustments

### Tilt adjustments

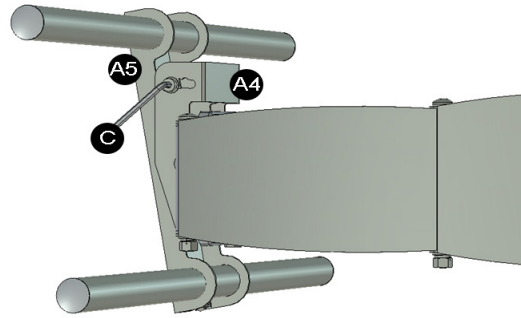


Figure 8: Tilt adjustments

### Roll adjustments

Roll adjustments is used to make the TV horizontal. Lose the roll adjustment screws at the back of Part-A4. And tighten after adjustment.

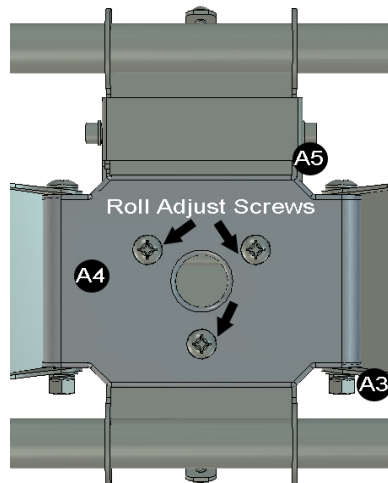


Figure 9: Roll adjustments

### Cable management

On the arms (Part A2 and A3), there are several double hole, which the wire could be put in to tie and fix the cables, including power cable and video audio cables.

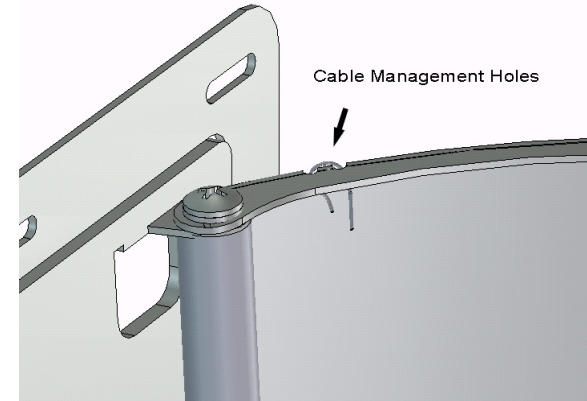


Figure 10: Roll adjustments

### Troubleshooting:

1. Some TVs might have cable access in the middle, which might be blocked by Part-A5. If this is the case, please use Spacers Y12 or Y13, to increase the distance between the mount and TV.
2. If the articulating arms are too tight, some lubricating oil like WD-40 could be safely applied.