



www.RiteMounts.com

# Installation Instructions

MLF-Series Flush TV Wall Mount

## DISCLAIMER

This document is intended to be made accurate and complete. However, there is no guarantee the information contained herein covers every aspect. The manufacturer and the distributor make no representation of any warranty regarding the information contained, and assume no corresponding responsibility.

## WARNING:

- Prior to installation, please read and understand this instruction manual. If you have any questions or uncertainties, please consult your seller or local professionals.
- If the wall structure could not support the combined weight of mount and the TV, please reinforce the wall prior to the installation. Installation on drywall may be dangerous.
- For installation on wood stud, please make sure the wood screws are in the center of the wood stud, using an “edge to edge” stud finder is recommended.
- Tighten the screws firmly, but never overtighten.

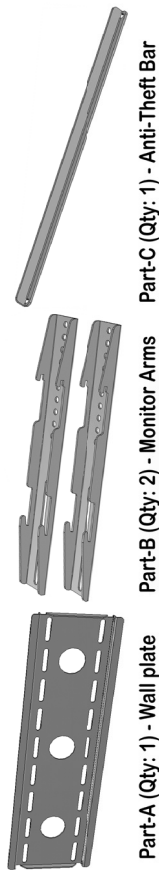
## Features:

- Designed for 20” to 37” flat screens.
- Ultra slim design holds the screen only 15/16” from the wall.
- A padlock can be added for security.
- Holds TV up to 100 LBS.

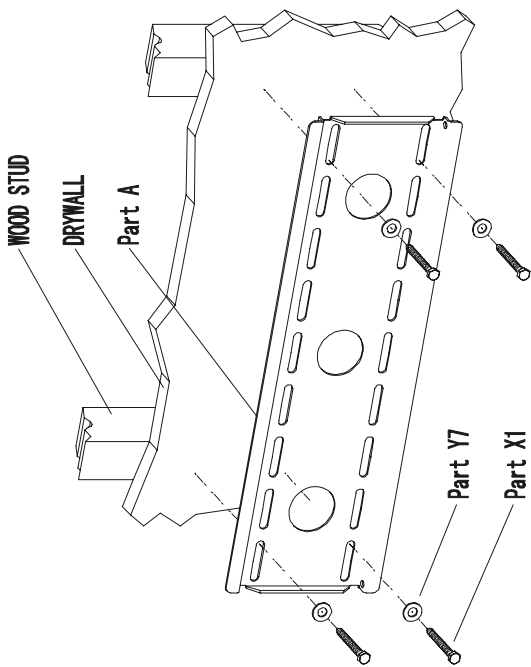
## Required tools:

Stud finder; Screwdriver; Drill; Level

## Parts list:



Part-A (Qty: 1) - Wall plate      Part-B (Qty: 2) - Monitor Arms      Part-C (Qty: 1) - Anti-Theft Bar



### b) Mounting to solid wall

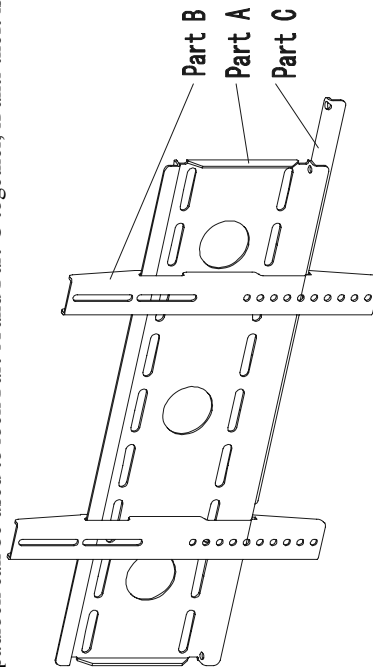
Use Part-X2 (Solid wall anchor) along with the wood screws (Part-X1). First drill a hole for solid wood anchor (Part-X2); Put Part-X2 in; Attach the Part-A (wall plate), and screw Part-X1 (wood screw) into the solid wall anchor.

**Warning:** Make sure the wall can support the combined weight of mount and the TV.

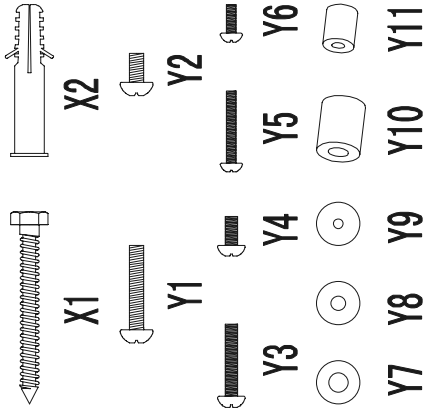
### Step3: Hang the TV with the interface arm installed (Part-B) onto the wall plate (Part-A)

Hook the TV with arms (Part-B) installed onto the top edge of the wall plate (Part-A), then slowly swing the bottom of the TV inward. Then please slide in the anti-theft bar (Part-C).

**Optional:** A padlock can be used to lock Part-A and Part-C together, if anti-theft is necessary



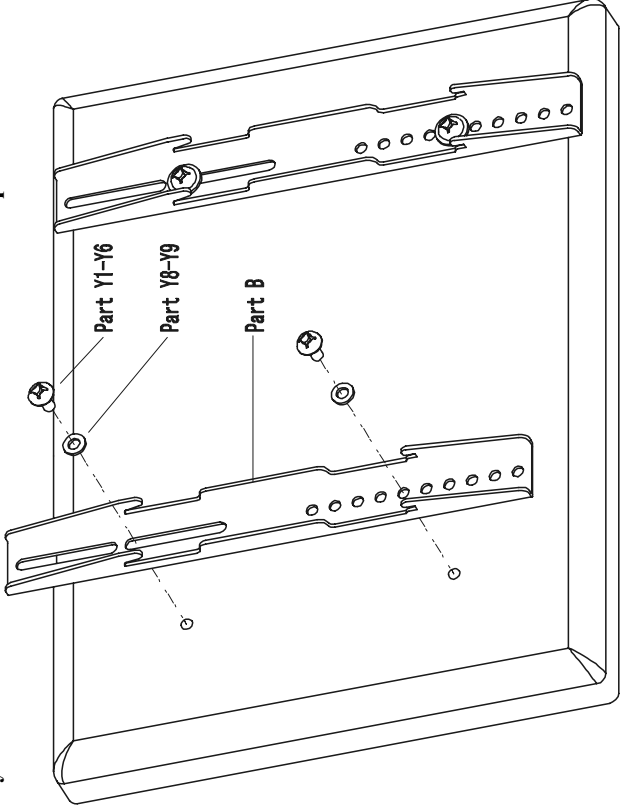
**Screw list:**



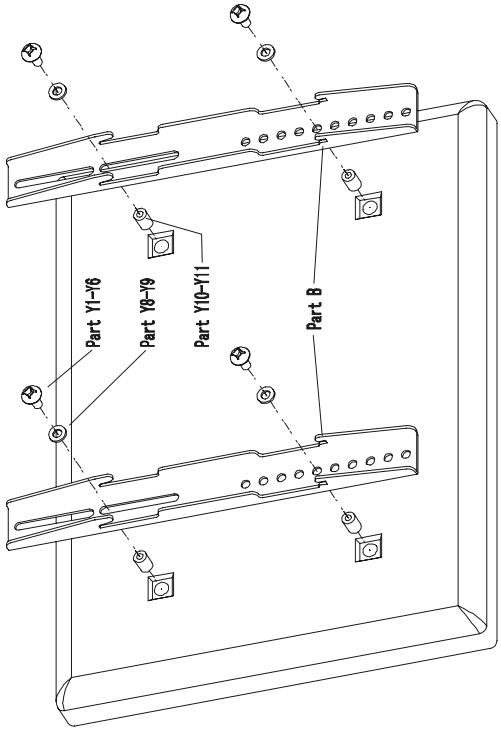
Description	Qty
X1 Wood Screw	4
X2 Solid Wall Anchor	4
Y1 M6 x 35 Screw	4 or 0
Y2 M6 x 12 Screw	4 or 0
Y3 M5 x 30 Screw	4 or 0
Y4 M5 x 12 Screw	4 or 0
Y5 M4 x 30 Screw	4 or 0
Y6 M4 x 10 Screw	4 or 0
Y7 Washer for Wood screw	4
Y8 Washer for M6 Screw	4 or 0
Y9 Washer for M5, M4 Screw	4 or 0
Y10 Spacer for M6 Screw	4 or 0
Y11 Spacer for M5, M4 Screw	4 or 0

**Step 1: Mounting TV interface arm (Part-B) to the back of the TV**

a) If your TV has a flat back surface – No curves and steps

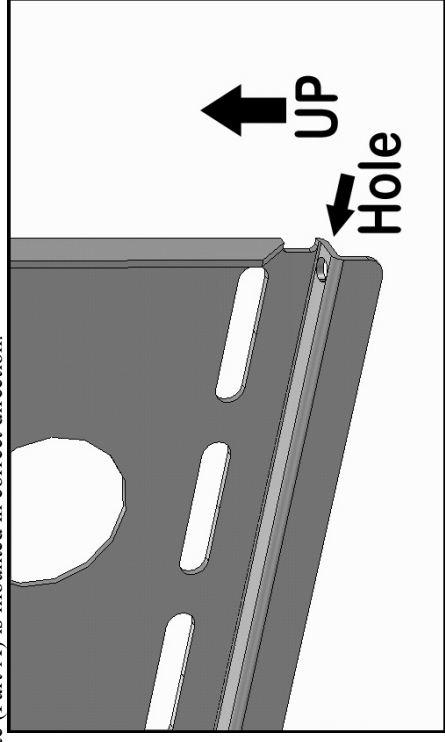


b) If your TV has a uneven or curved back surface, use the supplied spacers (Y10-Y11) to compensate or adjust the height.



**Step 2: Mount the wall plate (Part-A) to the wall**

At bottom side of wall plate (Part-A), there are two holes for the security bar. Make sure the wall plate (Part-A) is mounted in correct direction.



a) **Mounting to wood stud**  
**Warning:** Do not overtighten the wood lag screws (Part-X1)

Use a wood stud finder to identify the wood stud, typically the wood studs are 16 inches apart, 12, 20 or 24 inches in some place. Make sure the wood lag screws (Part-X1) are screwed into the center of the wood studs.

Use a level to make sure the wall plate is mounted perfectly horizontal.