

Installation Instructions

LFM-Series Projector Mount

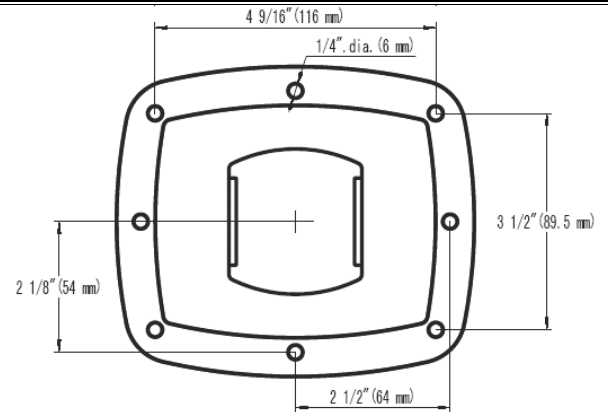


www.RiteMounts.com

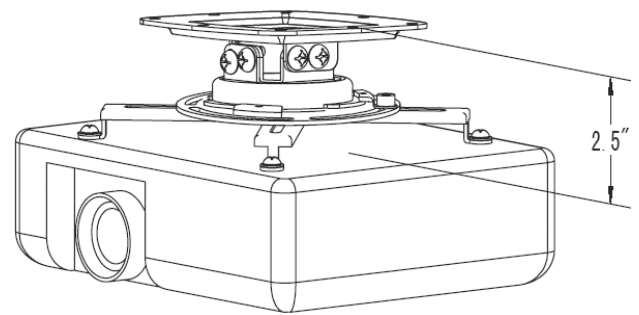
DISCLAIMER

This document is intended to be made accurate and complete. However, there is no guarantee the information contained herein covers every aspects. The manufacturer and the distributor make no representation of any warranty regarding the information contained, and assume no corresponding responsibility.

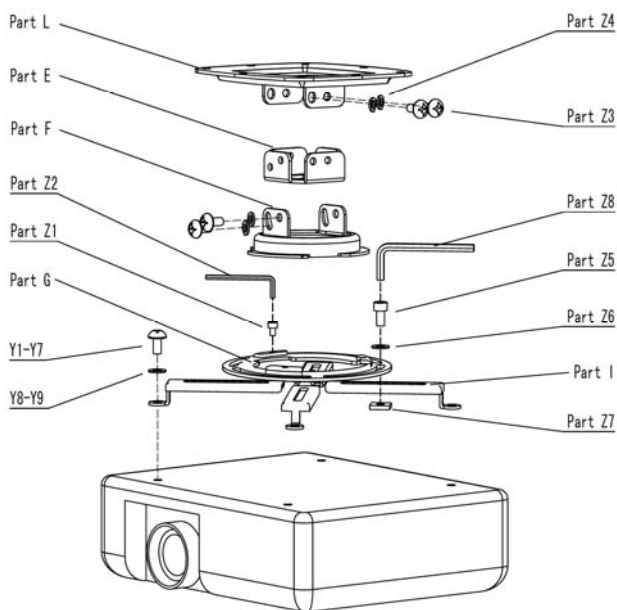
WARNING: If the ceiling structure could not support 5 times the weight of mount and the projector, please reinforce the ceiling prior to the installation. Installation on drywall may be dangerous.



(Figure 2)



(Figure 3)



(Figure 1)

Assembly

Part L is the LFM plate. Use this Part L to replace Part A, B, C, D from the NPL Series Projector Mount, and follow the same subsequential steps from NPL projector mount installation instructions.